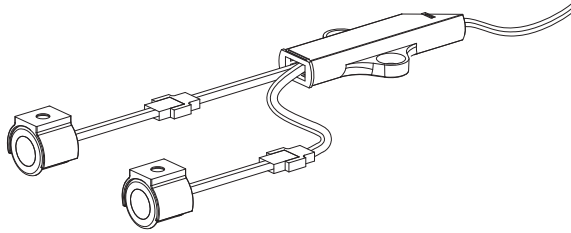


SN-DDIR06 IR sensor (Double door trigger)



Important safety instructions

1. For indoor use only.
2. Do not disassemble the product.
3. Do not install the switch in water dropping place.

Technical parameters

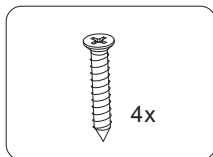
1. Power supply: DC12V
2. Max switching capacity: 60W
3. Cable length: 1200mm
4. Dust-proof, against solid things and waterproof level: IP20 (Ref. EN 60529-EN 60598-1)
5. Sensor distance: 5-10cm

Maintenance

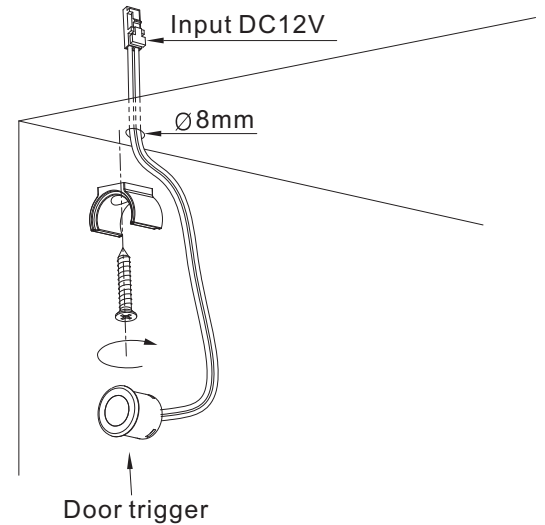
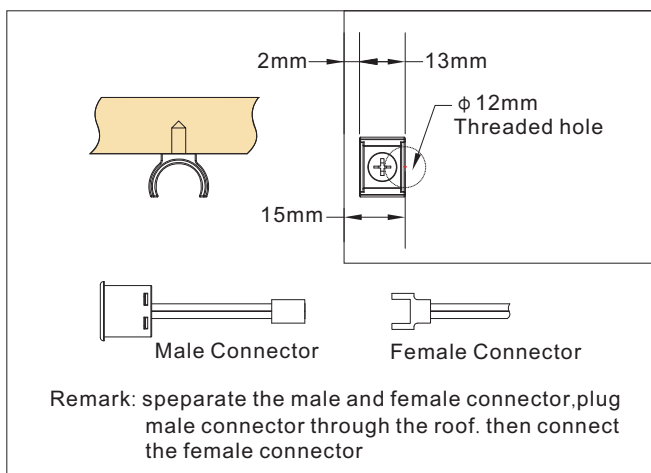
1. The external flexible cable or cord of this luminaire cannot be replaced; if the cord is damaged, the luminaire shall be destroyed. Different materials require different types of fittings. Always choose screws and plugs that are specially suited to the material.
2. Use a dry cloth, never a strong cleaning agent.

Installation

Installation accessories



1. Installation way one: as shown below, fix the clip, then make a threaded hole $\phi 12\text{mm}$, Plug male connector through the roof. Then connect the female connector, fix switch to the clip, fix switch controller to the roof.



Details

